

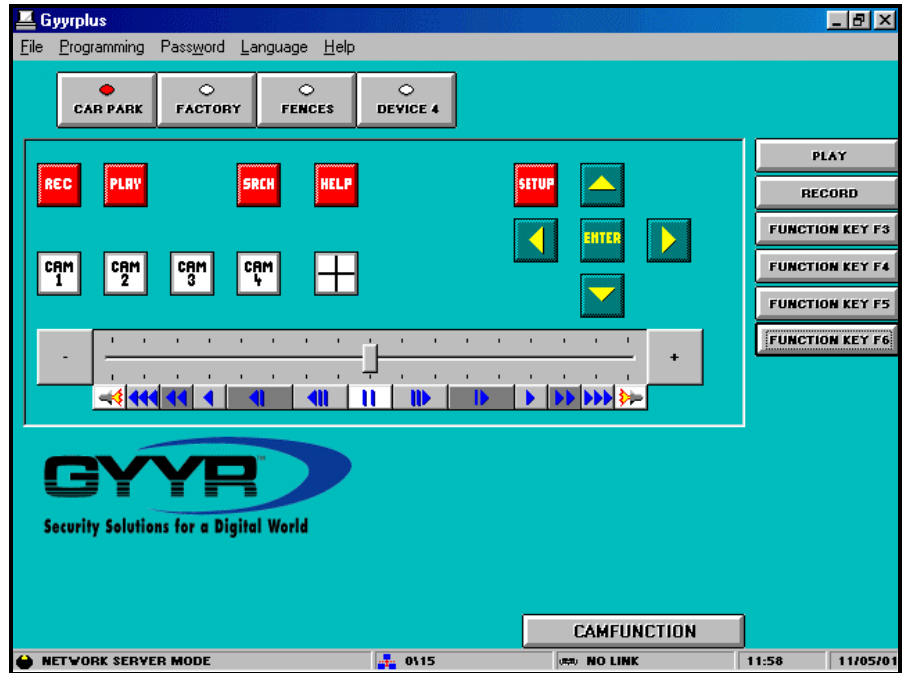
GYRPLUS™

DATA SHEET

GYRPLUS is a software package that allows PC control of certain products in a CCTV system. It is part of the "PLUS" range of software, which controls most multiplexers and VCRs.

The GYRPLUS software specifically controls the GYR Digiscan multiplexers / DVMS digital recorders and most RS232 time lapse VCRs. It can be easily retrofitted in an existing system.

GYRPLUS software benefits users of CCTV systems that include 1 or more multiplexers or DVMS recorders and 1 or more RS232 VCRs. Its unique features offer key benefits to the CCTV system user and installer.



- ◆ Automatic timers ensure potentially crucial recording operations in a CCTV system are controlled automatically, not left in the hands of operators. Key recording and multiplexer settings are software controlled ensuring the CCTV system records correctly at defined times and after defined events. Preventing recording errors is a crucial facility lacking in most CCTV systems.
- ◆ Using software means multiplexers and VCRs are not physically required on the control desk. Operators can concentrate on key tasks. Depending on system configurations, further cost savings can be made as GYRPLUS removes the requirements for multiple multiplexer keyboards. Control for the whole CCTV system, multiplexers and VCRs are in one place, on the PC.
- ◆ Pre-programmed multiplexer and VCR functions in the software allow immediate set up of the function keys from any of 12 pre-programmed choices. This means accurate and quick set-up, maximising the full extent of the multiplexer's capabilities.
- ◆ Control over a computer network gives multiple users control of the CCTV system. Each PC with network control must be running GYRplus.

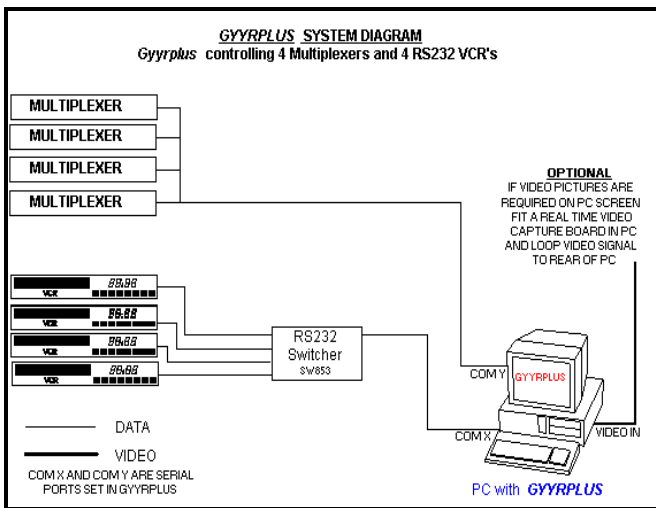
Options:

- ◆ **SITEMAP software:** This add on software package allows selection of cameras by clicking on a camera icon on a map layout. The camera icon can also trigger a function key allowing split screens or VCR functions to also be selected.
- ◆ **PC video card:** This allows the display of the multiplexer spot monitor output on the PC, reducing space requirements and saving the cost of a monitor.
- ◆ **Touchscreen:** PC operator control by touchscreen is possible with an optional PC monitor, further simplifying system operation.
- ◆ **Camfunction software :** This will add telemetry control of most popular PTZ control systems and dome cameras. It links to this software to switch cameras if required.

GYRPLUS software can be utilised in English, French, German, Italian, Spanish, Swedish or Finnish.

GYRPLUS is a major breakthrough in improving the operation of CCTV systems.

Hardware / Software	Minimum Requirements
PC & Display	Pentium 233Mhz or higher with VGA or SVGA.
PC Ram	128 MB or above
PC Hard drive	16 MB or above free
PC CD drive	4 x CD drive
PC Pointing device	MS mouse, touchscreen or Compatible pointing device
PC Parallel port	1 parallel port
PC RS232 Communications ports	1 mouse / Touch Screen port. 1 serial port for every seven Multiplexers . 1 serial port for every seven RS232 VCR's.
PC Operating System & Network	Windows 95, 98, NT, XP or Vista with TCP/IP protocol for network operation
Compatible VCR's or digital recorders	Too many to list from manufacturers such as Panasonic, JVC, Sony, Mitsubishi, Gyyr, Pelco, DM, Vista, Hitachi, Philips
New VCR's and digital recorders being added all the time.	See the latest list of controllable equipment on our web site www.cctvsoftware.com
Multiplexer or digital recorders	GYR DVMS 100/400/1600 digital recorders GYR DIGISCAN PRO multiplexer range GYR DIGISCAN multiplexer range



U.K. OFFICE	CCTV SOFTWARE LTD 37 CHAMBRES ROAD SOUTHPORT MERSEYSIDE PR8 6JG U.K. TEL +44 (0) 1704 548675 FAX +44 (0) 1704 548679	U.S. OFFICE	CCTV SOFTWARE INC 11208 WAPLES MILL RD SUITE 208 FAIRFAX VA 22030 U.S.A sales@cctvsoftware.net
E-MAIL sales@cctvsoftware.co.uk		INTERNET www.cctvsoftware.com	
		Ref:DSGYRPLUS011205	