

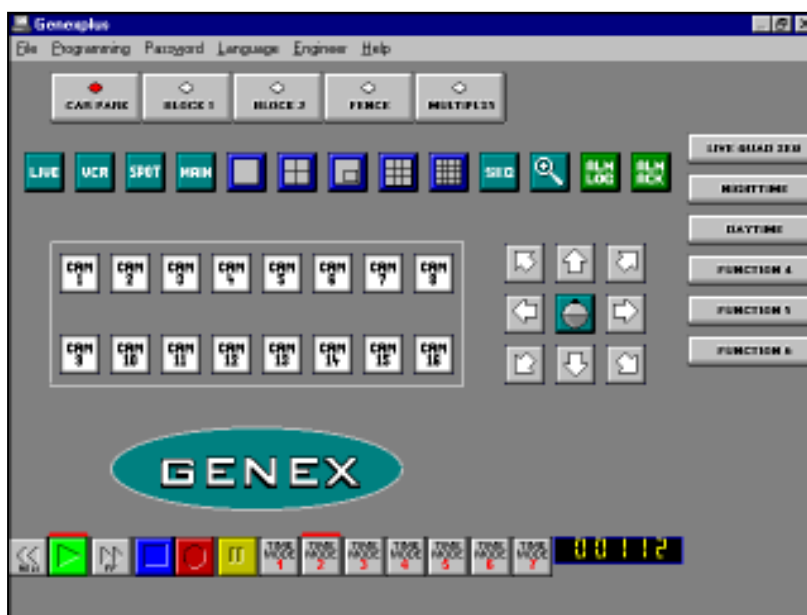
GENEXPLUS™

DATA SHEET

GENEXPLUS is a software package that allows PC control of certain products in a CCTV system. It is part of the "PLUS" range of software, which controls most multiplexers and VCRs.

The GENEXPLUS software specifically controls the PELCO GENEX Series Multiplexers and most RS232 time lapse VCRs. It can be easily retrofitted in an existing system.

GENEXPLUS software benefits users of CCTV systems that include 1 or more multiplexers and 1 or more RS232 VCRs. Its unique features offer key benefits to the CCTV system user and installer.



- ♦ Automatic timers ensure potentially crucial recording operations in a CCTV system are controlled automatically, not left in the hands of operators. Key recording and multiplexer settings are software controlled ensuring the CCTV system records correctly at defined times and after defined events. Preventing recording errors is a crucial facility lacking in most CCTV systems.
- ♦ Using software means multiplexers and VCRs are not physically required on the control desk. Operators can concentrate on key tasks. Depending on system configurations, further cost savings can be made as GENEXPLUS removes the requirements for multiple multiplexer keyboards. Control for the whole CCTV system, multiplexers and VCRs are in one place, on the PC.
- ♦ Pre-programmed multiplexer and VCR functions in the software allow immediate set up of the function keys from any of 30 pre-programmed choices. This means accurate and quick set-up, maximising the full extent of the multiplexer's capabilities.
- ♦ Control over a computer network gives multiple users control of the CCTV system. Each PC with network control must be running Genexplus.

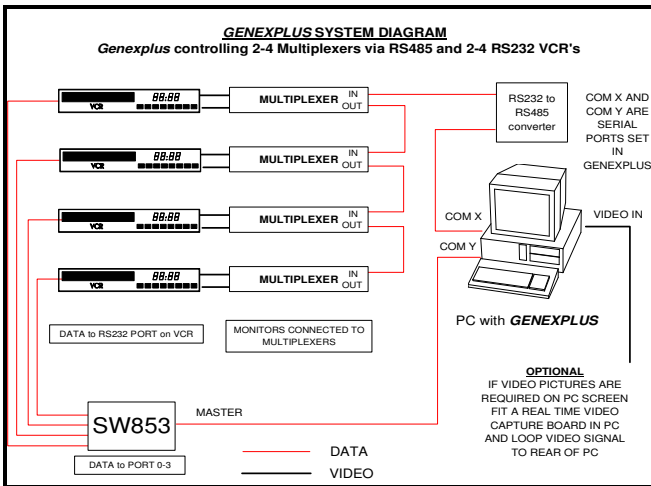
Options:

- ♦ SITEMAP software: This add on software package allows selection of cameras by clicking on a camera icon on a map layout. The camera icon can also trigger a function key allowing split screens or VCR functions to also be selected.
- ♦ PC video card: This allows the display of the multiplexer spot monitor output on the PC, reducing space requirements and saving the cost of a monitor.
- ♦ Touchscreen: PC operator control by touchscreen is possible with an optional PC monitor, further simplifying system operation.
- ♦ Camfunction software : This will add telemetry control of most popular PTZ control systems and dome cameras. It links to this software to switch cameras if required.

GENEXPLUS software can be utilised in English, French, German, Italian, Spanish, Swedish or Finnish.

GENEXPLUS is a major breakthrough in improving the operation of CCTV systems.

Hardware / Software	Minimum Requirements
PC & Display	Pentium 233Mhz or higher with SVGA.
PC Ram	128 MB or above
PC Hard drive	16 MB or above free
PC CD drive	4 x CD drive
PC Pointing device	MS mouse, touchscreen or Compatible pointing device
PC Parallel port	1 parallel port
PC RS232 Communications ports	1 mouse / Touch Screen port. 1 serial port for every seven Multiplexers . 1 serial port for every seven RS232 VCR's.
PC Operating System & Network	Windows 95, 98, NT, XP, or Vista with TCP/IP protocol for network operation
Compatible VCR's or digital recorders	Too many to list from manufacturers such as Panasonic, JVC, Sony, Mitsubishi, Gyr, Pelco, DM, Vista, Hitachi, Philips, Gyr
New VCR's and digital recorders being added all the time.	See the latest list of controllable equipment on our web site www.cctvsoftware.com
Multiplexer	Pelco GENEX Series multiplexers



GENEXPLUS is a
CCTV SOFTWARE
product

U.K. OFFICE

CCTV SOFTWARE LTD
37 CHAMBRES RD
SOUTHPORT
MERSEYSIDE
PR8 6JG
U.K.
+44 (0) 1704 548675
+44 (0) 1704 548679

TEL
FAX

E-MAIL sales@cctvsoftware.co.uk

U.S. OFFICE

CCTV SOFTWARE INC
11208 WAPLES MILL RD
SUITE 208
FAIRFAX
VA 22030
U.S.A
sales@cctvsoftware.net

INTERNET www.cctvsoftware.com

Ref: DSGENEXPLUS011205